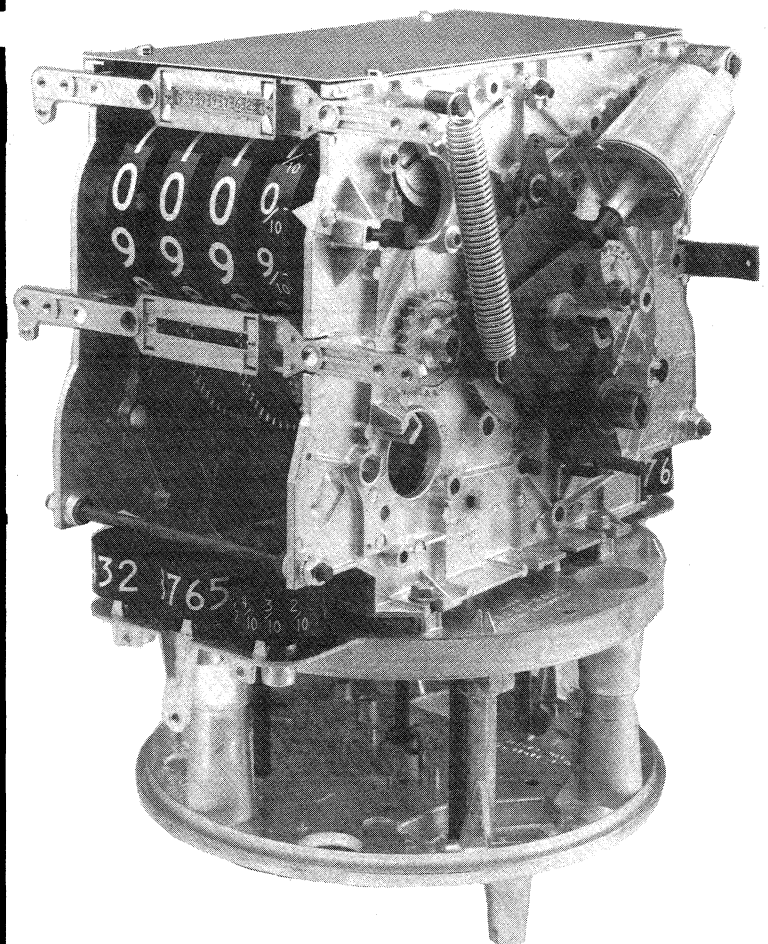


Parts List

MODEL
VR101
NON-
COMPUTER
4 WHEEL

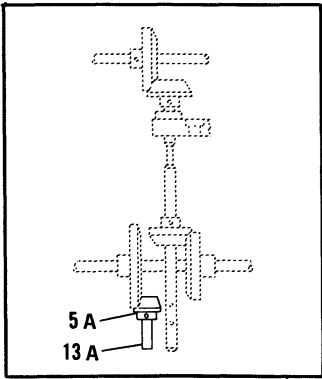
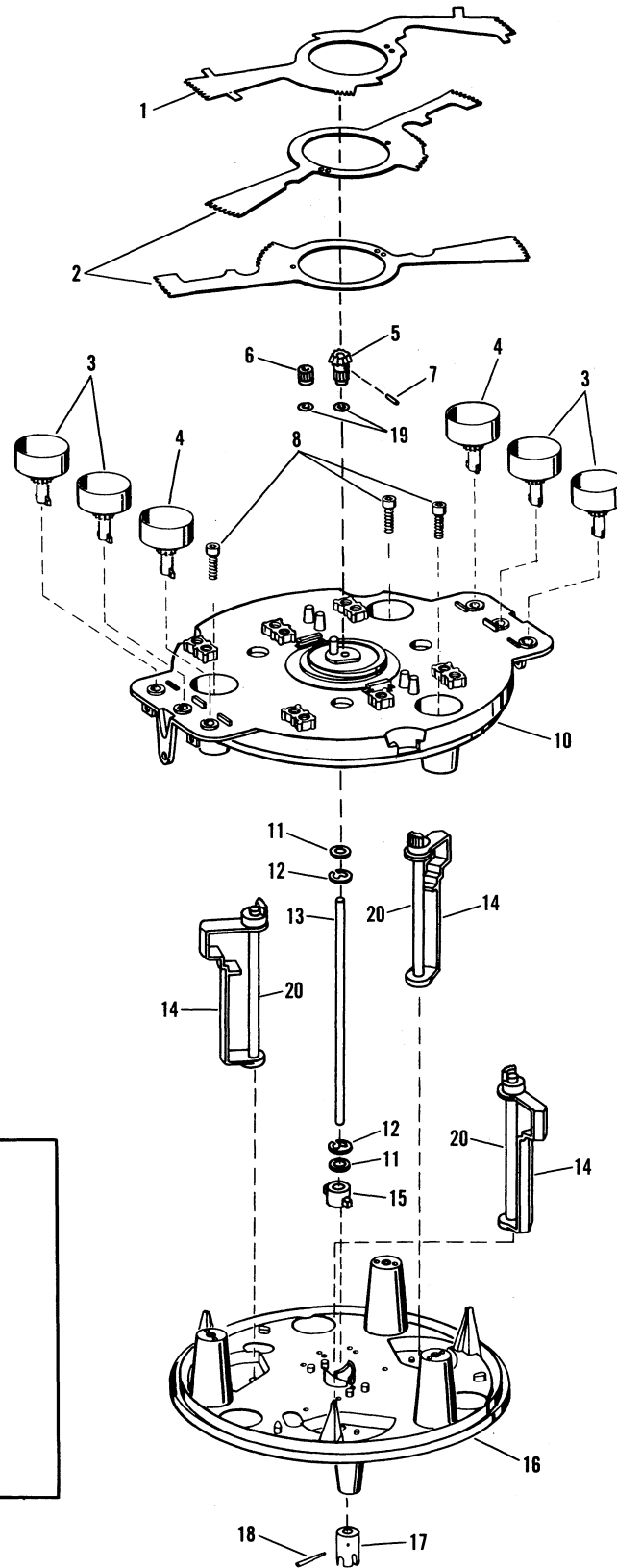
Technical Manual
1-008
Issued: 10/98
Supersedes: 5/97

231116
Rev. D



VEEDER-ROOT 

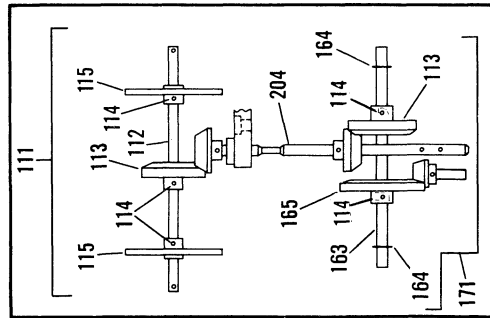
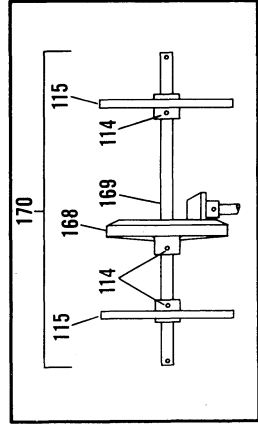
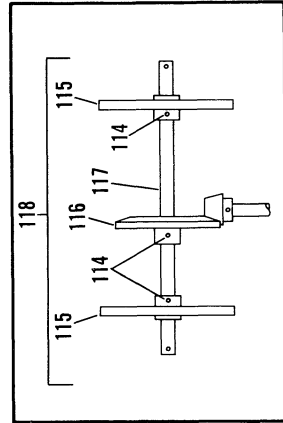
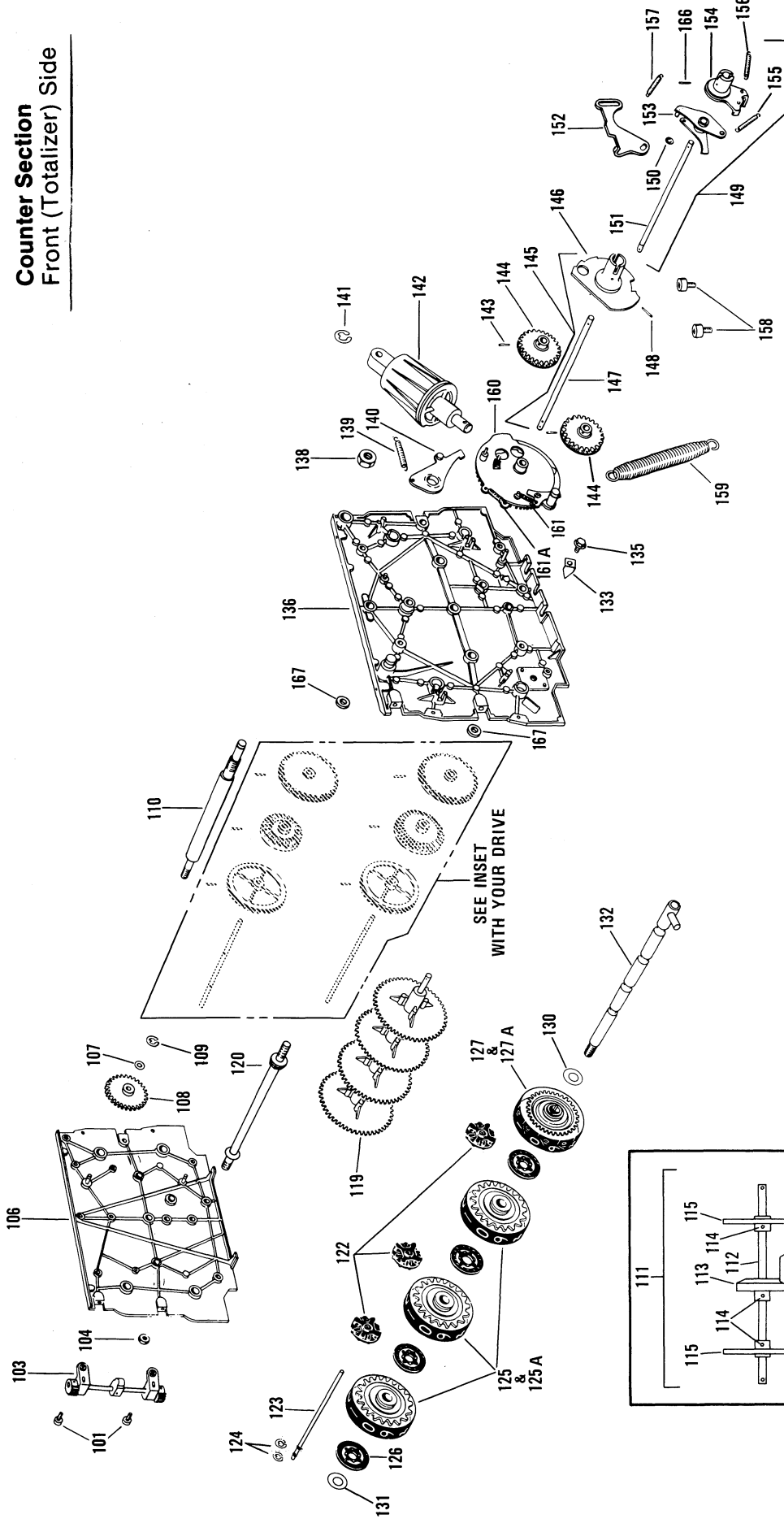
Price Indicating Section



DOUBLE SKEW
BEVEL DRIVE

ITEM NO.	VEEDER-ROOT PART NO.	DESCRIPTION	QUANTITY
1	313944-010	Link Gear 1c	1
2	313943-010	Link Gear 1/10 & 10c	2
3	G-313935-042	Price Wheel Group (Whole Numbers)	4
4	G-313935-041	Price Wheel Group (Fractions)	2
	G-313935-042	Price Wheel Group (Whole Numbers)	2
5	G-78625-1-005	Drive Gear (For Use With Idler Gear)	1
5a	317133-001	Drive Gear (Double Skew Bevel Drive) 4:1	1
	312253-011	Drive Gear (Double Skew Bevel Drive) 2:1	1
6	78721-1-005	Idler Gear	1
7	510107-002	Pin (4:1)	1
	510106-002	Pin (2:1)	1
8	510500-326	Socket Screw	3
9	Not Used		
10	319365-001	Base Group — Upper (With 0.186 Idler Stud)	1
	G-319367-001	Base Group — Upper (For Double Skew Bevel Drive)	1
11	11071-141	Washer	2
12	511810-001	Retaining Ring	2
13	319373-002	Shaft, Drive (0.186 Dia.) (Use With Idler Stud)	1
13a	319701-003	Shaft, Drive (Double Skew Bevel Drive)	1
14	G-313952-010	Bail Group	3
15	313980-011	Bushing	1
16	G-313971-010	Base Group — Lower	1
17	313985-011	Coupling — Drive	1
18	510121-001	Pin	1
19	11071-IJ 485	Washer	2
20	319368-001	Shaft	3

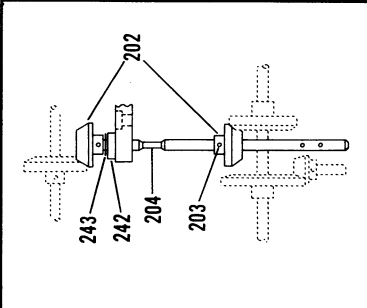
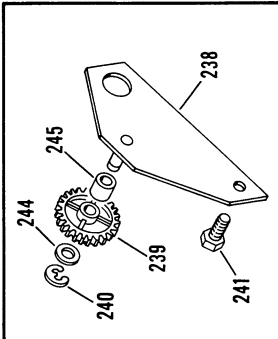
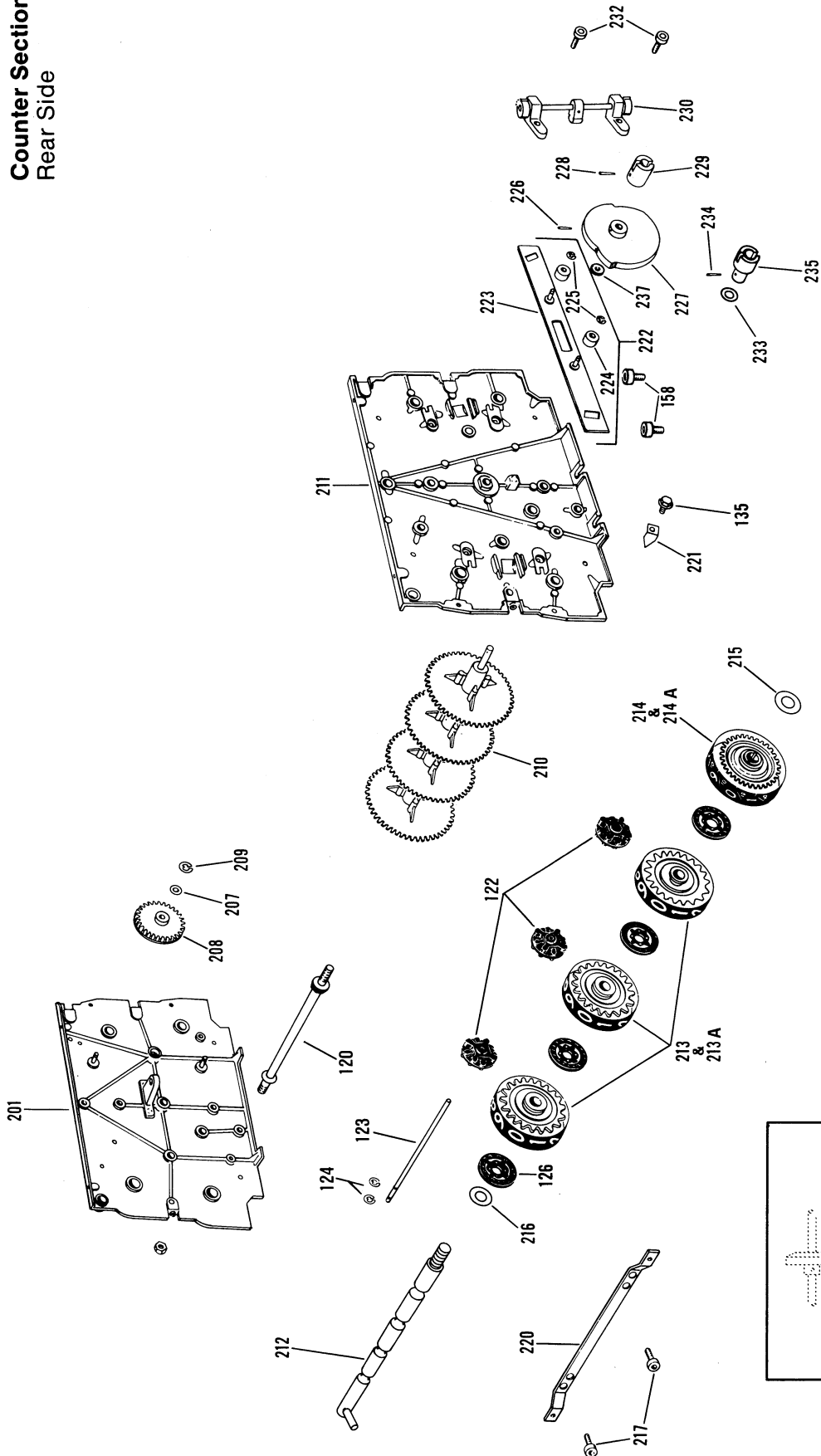
Counter Section
Front (Totalizer) Side



ITEM NO.	VEEDER-ROOT PART NO.	DESCRIPTION	QUANTITY
101	510500-328	Screw 10-32 x 1/2"	4
102	Not Used		
103	G-77062-3-015	Rocker Shaft Assembly	2
104	511000-245	Tie Rod Nut 1/4" x 28	7
106	G-86743-3-015	Left-Hand Frame	1
107	11071-FN-325	Washer	As Req'd.
	11071-NO-791	Washer	As Req'd.
	11071-FR-333	Washer	As Req'd.
108	76764-1-007	Idler Gear	2
109	511810-001	Truarc	2
110	77005-2-010	Large Tie Rod	1
111	G-317482-002	Upper Drive Assembly (Incl. 112-115) (Use Only With Upper Bank of Wheels)	1
112	76819-4-020	Upper Drive Shaft	1
113	76816-1-005	Upper Bevel Drive Gear	2
114	510114-001	Groov Pin 5/64" x 1/2"	3
115	76765-1-005	Gear	2
116	76817-1-005	Lower Bevel Drive Gear (4:1) (Use for Lower Bank of Wheels)	1
117	76818-6-030	Lower Drive Shaft (4:1) (Use for Lower Bank of Wheels)	1
118	G-77078-8-040	Lower Drive Assembly (4:1) (Incl. 114-117) (Use Only for Lower Bank of Wheels)	1
119	G-310763-110	Shaft Group - Reset (Front)	1
120	27719-20-115	Tie Rod	1
122	73154-3-016	Pinion	3
123	329409-001	Pinion Shaft	6
124	511807-001	Retaining Ring	2
125	G-315457-001	Reverse Middle & Left Quantity Wheel (Upper)	4
125A	G-315457-002	Reverse Middle & Left Quantity Wheel (Lower)	3
126	G-77481-1-006	Reset Disc	3
127	327567-024	Reverse Right-Hand Quantity Wheel (Upper) (Fractional & 10 Graduations)	8
	327567-025	Reverse Right-Hand Quantity Wheel (Upper) (Whole Numbers & 10 Graduations)	1
127A	327567-020	Reverse Right-Hand Quantity Wheel (Lower) (Fractional & 10 Graduations)	1
	327567-003	Reverse Right-Hand Quantity Wheel (Lower) (Whole Numbers & 10 Graduations)	1
130	74800-80-201	Washer	1
131	74800-63-167	Washer 0.030	As Req'd.
	74800-80-201	Washer 0.010	As Req'd.
	74800-81-203	Washer 0.015	As Req'd.
	74800-82-205	Washer 0.025	As Req'd.
	74800-83-207	Washer 0.030	As Req'd.
	74800-84-209	Washer 0.035	As Req'd.
	885005-793	Washer 0.005	As Req'd.
132	G-77070-3-015	Shaft Group-Wheel (Front)	1
133	33620-P-082	Front Pointer — White	1
135	510500-330	Screw	2
136	G-322420-009	Right-Hand Frame (Incl. 884008-529 Vertical Shaft Bushing)	1

ITEM NO.	VEEDER-ROOT PART NO.	DESCRIPTION	QUANTITY
138	511000-246	Nut (Large Tie Rod)	1
139	14427-RK-842	Spring	1
140	G-77368-1-005	Ratchet Stop Pawl	1
141	511819-001	Truarc	3
142	G-77053-2-010	Dash Pot	1
143	510100-104-044	Groov Pin 3/32" x 5/8"	2
144	76751-1-005	Reset Driven Gear	2
145	G-86699-2-010	Center Shaft Assembly (Incl. 146-148)	1
146	G-86665-1-005	Center Shaft Cam	1
147	86661-2-010	Center Shaft	1
148	510105-178	Groov Pin 3/32" x 1/16"	1
149	G-78497-6-030	Trip Lever Assembly (Incl. 150-157)	1
150	511807-001	Truarc	1
151	76855-4-020	Trip Shaft	1
152	77830-2-012	Lock Pawl	1
153	G-77034-2-010	Stop Pawl Hub Assembly	1
154	G-77803-2-010	Trip Lever Reset	1
155	14427-NN-673	Trip Lever Spring	1
156	14427-OG-714	Trip Lever Spring (Heavy)	1
157	14427-MO-614	No-Back Ratchet Pawl Spring	1
158	510500-325	Screw	4
159	14427-MG-598	Reset Spring	1
160	G-86672-1-006	Reset Driven Gear Assembly (Incl. 161-162)	1
161	310300-257	Spring	1
161A	310300-257	Spring	1
163	76818-21-073	Cross Shaft 4:1	1
	76818-28-081	Cross Shaft 2:1	1
164	511810-001	Retaining Ring	2
165	76817-1-005	Bevel Gear 4:1	1
	403005-035	Bevel Gear 2:1	1
166	510125-001	Pin 3/32" x 1/16"	1
167	11071-DF-206	Washer	As Req'd.
168	403005-035	Lower Bevel Drive Gear (2:1) (Use for Lower Bank of Wheels)	1
169	318701-002	Lower Drive Shaft (2:1) (Use for Lower Bank of Wheels)	1
170	G-318702-001	Shaft Group — Lower Drive (2:1) (Incl. 114, 115, 168, 169)	1
171	G-77078-20-084	Shaft Group — Lower Drive (4:1) (Incl. 113, 114, 163, 164, 165) (Used to Drive Upper Bank of Wheels)	1
	G-77078-23-087	Shaft Group — Lower Drive (2:1) (Incl. 113, 114, 163, 164, 165) (Used to Drive Upper Bank of Wheels)	1

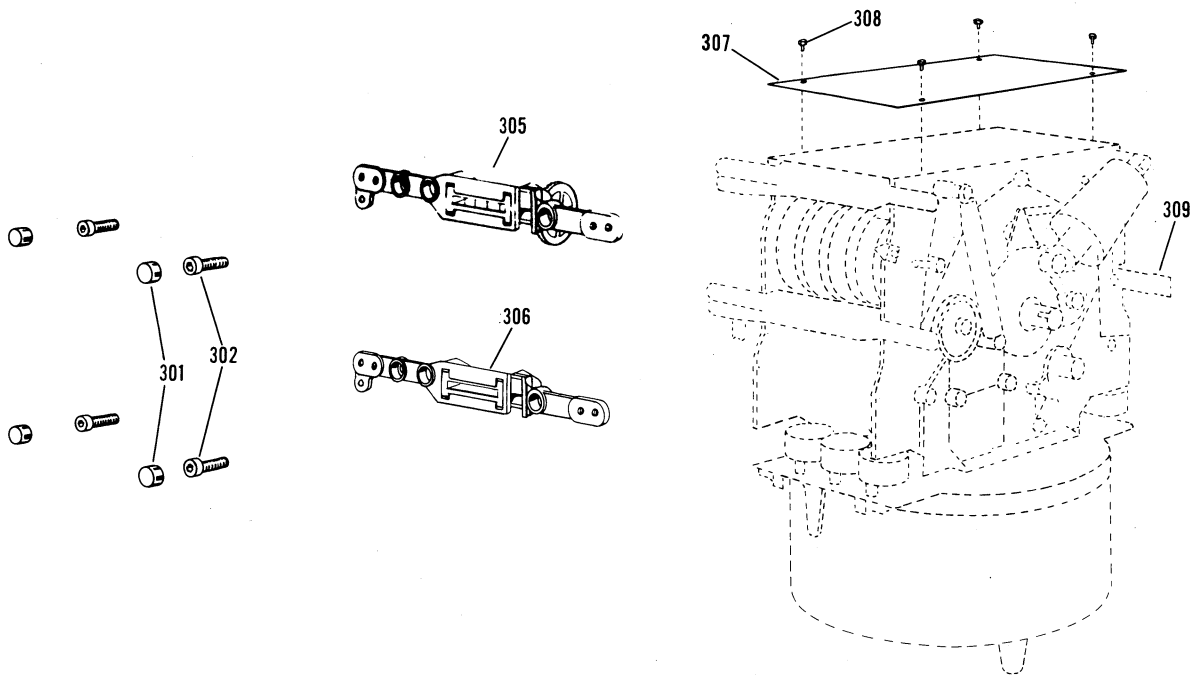
Counter Section
Rear Side



ITEM NO.	VEEDER-ROOT PART NO.	DESCRIPTION	QUANTITY
221	33620-Q-087	Rear Pointer White	1
222	G-77821-2-010	Reset Slide Assembly (Incl. 223-225)	1
223	G-77061-2-010	Slide Bar	1
224	76774-1-006	Roller	2
225	511807-001	Truarc	3
226	510100-111-069	Groov Pin $\frac{1}{8}'' \times \frac{3}{4}''$	1
227	86704-1-006	Shift Cam	1
228	510105-178	Groov Pin	1
229	86662-1-005	Center Coupling	1
230	Same as 103		
231	Not Used		
232	Same as 101		
233	74800-7-023	Washer	As Req'd.
234	510105-182	Groov Pin $\frac{3}{32}'' \times \frac{3}{8}''$	1
235	77769-2-010	Trip Coupling	1
236	Not Used		
237	11071-NL-785 885005-281	Washer Washer	As Req'd. As Req'd.
238	G-322227-001	Rear Totalizer Drive Bracket	1
239	322225-001	Rear Totalizer Drive Gear	1
240	511826-001	Truarc	1
241	510500-325	Screw	1
242	884008-529	Bushing (Incl. with 201)	1
243	11071-NU-803 11071-FN-325 11071-CJ-159	Washer Washer Washer	As Req'd. As Req'd. As Req'd.
244	885005-640	Washer	1
245	884009-075	Spacer	1

ITEM NO.	VEEDER-ROOT PART NO.	DESCRIPTION	QUANTITY
201	Same as 136		
202	27759-B-010	Gear	2
203	510108-001	Groov Pin $\frac{1}{16}'' \times \frac{1}{2}''$	2
204	86670-4-020	Vertical Shaft	1
205	Not Used		
206	Not Used		
207	Same as 107		
208	G-325960-001	Gear Group — Front Idler	1
209	Same as 109		
210	G-310764-110	Shaft Group — Reset (Rear)	1
211	Same as 106		
212	G-77070-4-020	Shaft Group — Wheel (Rear)	1
213	G-315457-003	Regular Middle & Left Wheel (Upper)	3
213A	G-315457-004	Regular Middle & Left Wheel (Lower)	3
214	327588-024	Regular Right-Hand Wheel (Upper) (Fractional & 10 Graduations)	1
	327588-025	Regular Right-Hand Wheel (Upper) (Whole Numbers & 10 Graduations)	1
214A	327588-020	Regular Right-Hand Wheel (Lower) (Fractional & 10 Graduations)	1
	327588-003	Regular Right-Hand Wheel (Lower) (Whole Numbers & 10 Graduations)	1
215	74800-80-201	Washer	1
216	See Item 131	Washers	As Req'd.
217	510500-329	Screw	2
218	Not Used		
219	Not Used		
220	73217-2-011	Dial Bracket	1

External Parts



ITEM NO.	VEEDER-ROOT PART NO.	DESCRIPTION	QUANTITY
301	28698-K-060	Totalizer Seal	2
302	510500-327	Totalizer Screw 10-32 × 5/8"	4
305	328005-026	Quantity Totalizer (Upper & Lower)	1
306	76762-020	Spacer — Totalizer	1
307	76915-2-010	Top Cover	1
308	510549-001	Cover Screws	4
309	370016-001	Rear Totalizer (if required)	1

