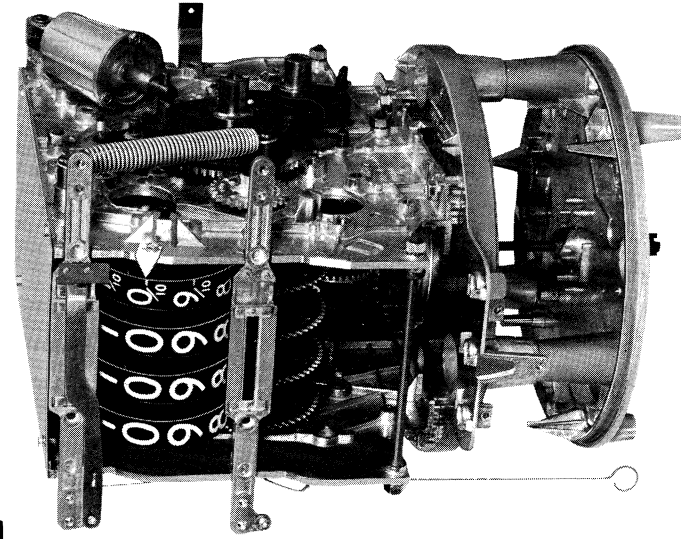


RECOGNITION CHART: VR-101

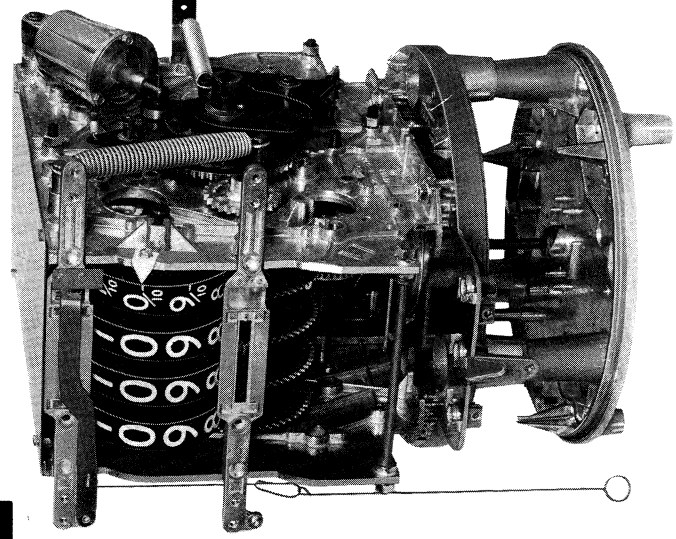
Veeder-Root Non-Computers

1 744804-106



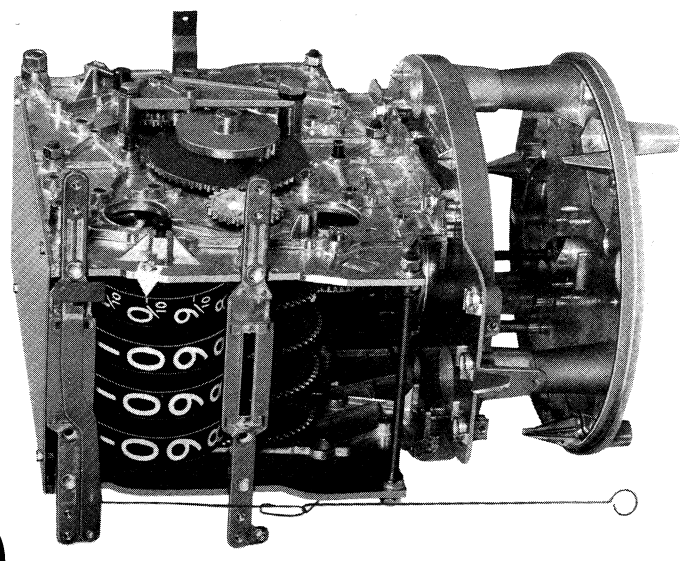
Two-Handle Reset

2 744904-101



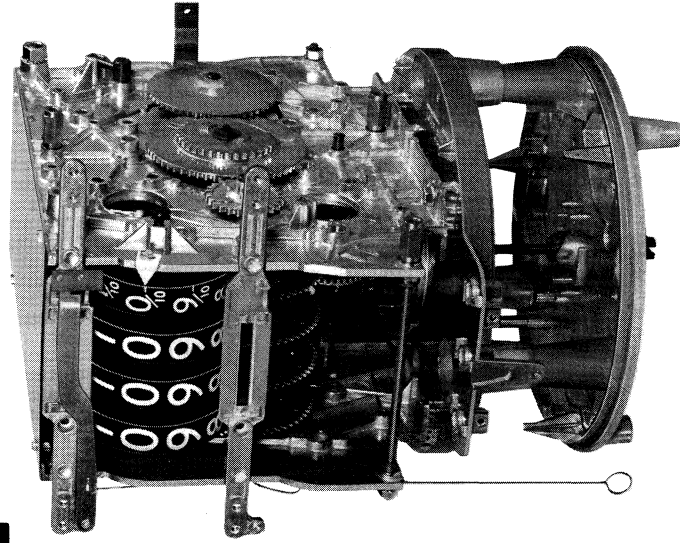
Single-Handle Reset

3 745104-100



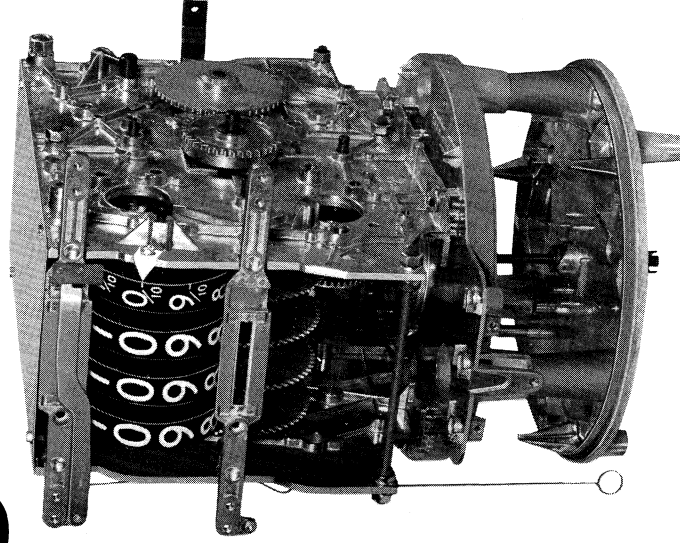
Tokheim Rotary Reset

4 747104-107



V-R Rotary Reset

5 745004-100



Gilbarco Rotary Reset

- 1. 744804-106:** 4-Wheel, Two-Handle Non-Computer. Interchangeable with non-computers in Bennett, Gilbarco, Keene, Smith-Geosource, Southwest and Dresser-Wayne model pumps.
- 2. 744904-101:** 4-Wheel, Single-Handle Non-Computer. Interchangeable with Tokheim center shaft, single-handle control non-computers.
- 3. 745104-100:** 4-Wheel Non-Computer for use with Tokheim rotary reset.
- 4. 747104-107:** 4-Wheel Non-Computer for use with Veeder-Root rotary reset in Bennett, Keene, Smith-Geosource and Dresser-Wayne model pumps.
- 5. 745004-100:** 4-Wheel Non-Computer for use with Gilbarco and Southwest rotary reset models.