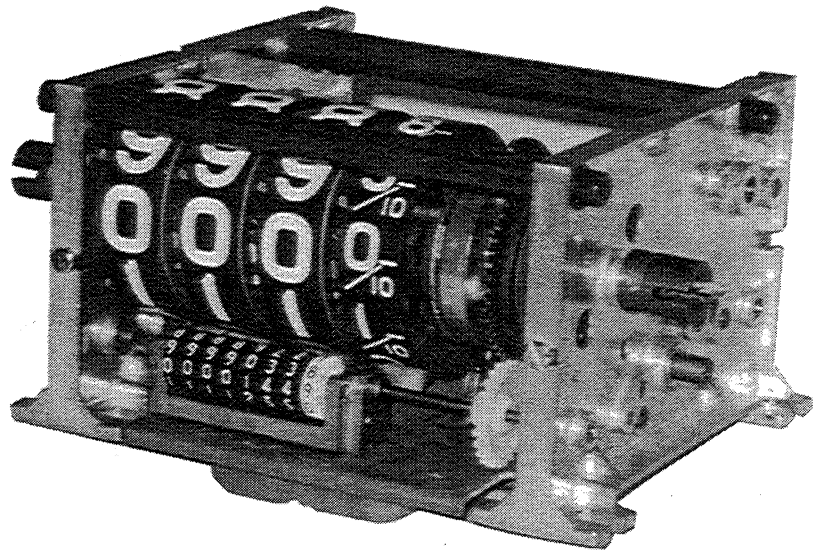


TECHNICAL MANUAL
251960
ISSUED: 7/97
REV B

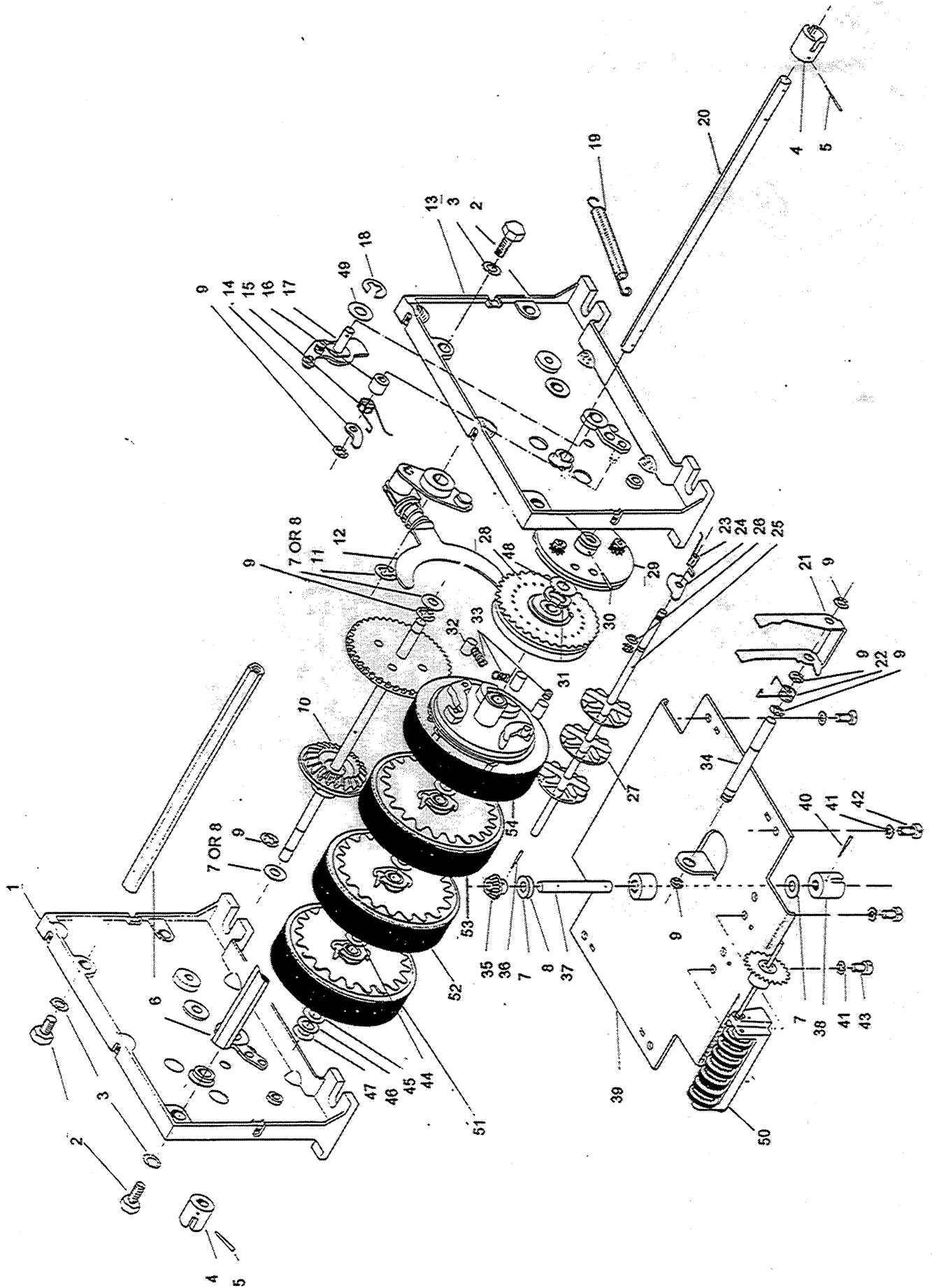
Parts List

OPEN FRAME REGISTER SERIES 1623



VEEDER-ROOT
Petroleum Products

The Leader in Tank Monitoring Technology

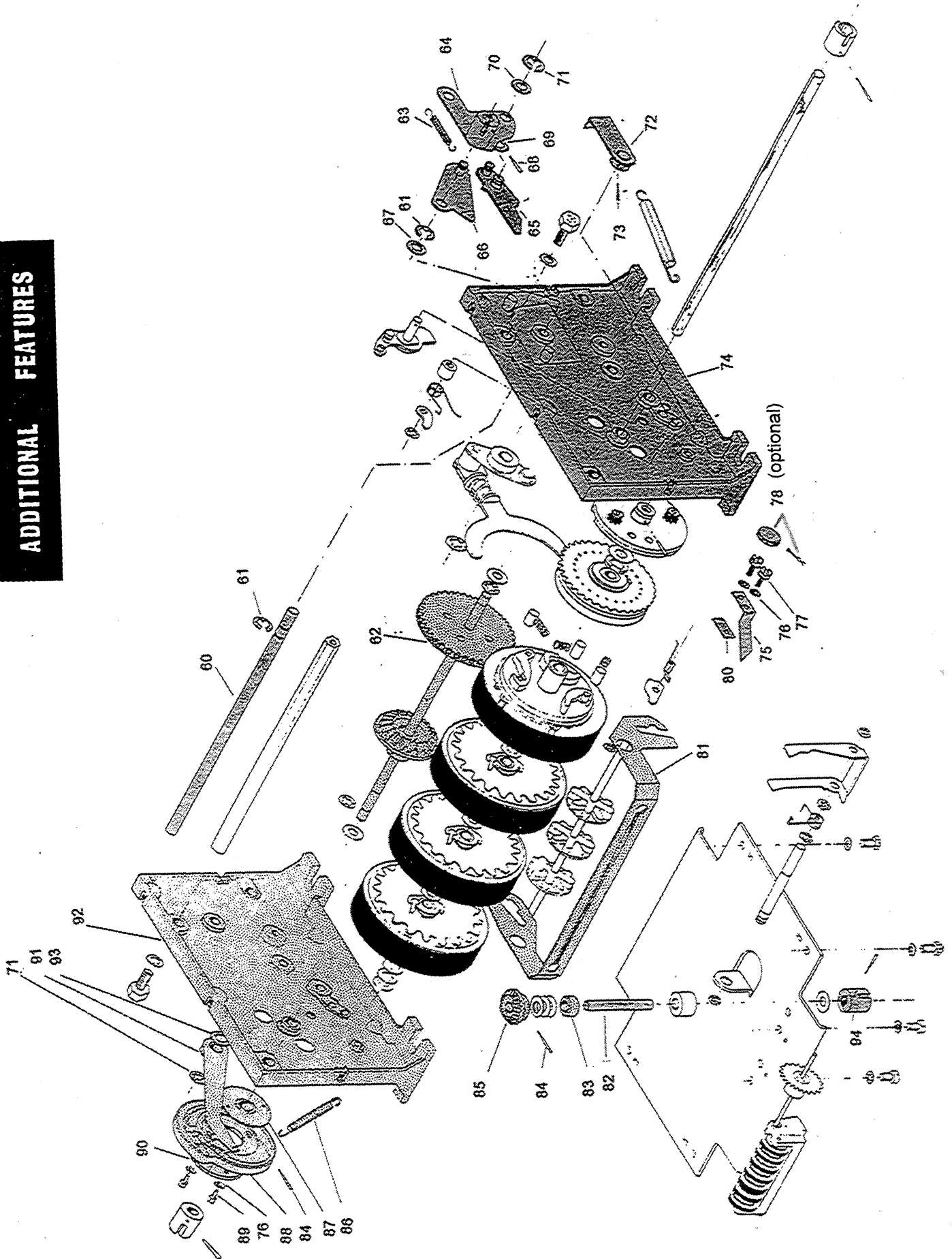


ITEM NO	U.S. PART NO	U.K. PART NO	DESCRIPTION	QUAN.
1	407771-163	7771-163	LEFT FRAME GROUP	1
2	503645-005	5471-065	SCREW	4
3	510013-001	6105-19	LOCKWASHER	4
4	77769-005	2401-7	COUPLING	2
5	510125-001	4606-29	GROOVE PIN	2
6	406071-007	6071-7	TIE ROD	2
7	11071-146	6104-26	WASHER .010	AS REQ
8	11071-205	6104-31	WASHER .005	AS REQ
9	511810-001	4010-14	RETAINING RING	7
10	407771-170	7771-170	DRIVE SHAFT GROUP (2:1 RATIO, CCW)	1
11	511816-001	4010-25	RETAINING RING	1
12	407771-157	7771-157	BRAKE SHOE ASSY	1
13	407771-164	7771-164	RIGHT FRAME GROUP	1
14	404503-006	4503-6	STOP PAWL	1
15	405271-021	5271-21	STOP PAWL SPRING	1
16	405371-019	5371-19	PAWL SPACER	1
17	407771-406	7771-406	RESET ARM ASSEMBLY	1
18	511819-001	4010-16	RETAINING RING	1
19	405271-082	5271-82	RESET LEVER SPRING	1
20	405571-072	5571-72	SHAFT	1
21	404571-020	4571-20	WHEEL STOP PAWL	1
22	405271-020	5271-20	WHEEL STOP PAWL SPRING	1
23	405271-019	5271-19	TRIP PAWL SPRING	1
24	404571-019	4571-19	TRIP PAWL	1
25	405571-076	5571-76	PINION SHAFT	1
26	511807-001	4010-7	RETAINING RING	2
27	404303-019	4303-19	TRANSFER PINION	3
28	407778-956	7778-956	CLUTCH GEAR GROUP	1
29	407771-172	7771-172	RESET SHAFT GROUP	1
30	510121-001	4606-14	GROOVE PIN	1
31	404010-053	6171-41	RETAINING RING	1
32	402371-017	2371-17	CLUTCH ROLLER	3
33	405206-001	5206-1	CLUTCH ROLLER SPRING	3
34	405571-075	5571-75	SHAFT	1

ITEM NO	U.S. PART NO	U.K. PART NO	DESCRIPTION	QUAN.
35	403010-013	3010-13	BEVEL GEAR 2:1 RATIO	1
36	510106-002	4606-10	GROOVE PIN	1
37	405571-071	5571-71	SHAFT (BEVEL GEAR)	1
38	402471-014	2471-14	DRIVE COUPLING 0.718" LONG	1
39	407771-158	7771-158	BASEPLATE GROUP	1
40	510114-001	4606-2	GROOVE PIN	1
41	510002-001	6105-16	LOCKWASHER	6
42	405401-016	5471-95	SCREW	4
43	502230-002	5406-14	SCREW	2
44	28532-030	6104-39	WASHER	3
45	11071-508	6104-72	WASHER	1
46	11071-299	6104-60	WASHER	3
47	11071-195	6104-68	WASHER	2
48	11071-835	6101-2	WASHER	1
49	11071-299	6104-102	WASHER	1
50	407771-166	7771-166	TOTALIZER ASSY (1 WHT & 7 BLK WHEELS)	1
51	407771-167	7771-167	TOTALIZER ASSY (ALL BLACK WHEELS)	1
52	407372-049	7372-049	LH WHEEL GROUP	1
53	407376-049	7376-049	SECOND WHEEL GROUP	1
54	407369-049	7369-049	THIRD WHEEL GROUP	1
	407358-057	7358-57	RH WHEEL GROUP 0/10-9/10 (10 GRADUATIONS)	1
	407358-063	7358-063	RH WHEEL GROUP 0-9 (10 GRADUATIONS)	
	407358-121	7358-121	RH WHEEL GROUP 00-90 (100 GRADUATIONS)	
	407358-139	7358-19	RH WHEEL GROUP 0-9 (100 GRADUATIONS)	
	407358-163	7358-163	RH WHEEL GROUP 0-9 (100 GRADUATIONS)	
	407358-175	7358-175	RH WHEEL GROUP 00-95 (100 GRADUATIONS)	
*55	407423-057	7423-058	RH WHEEL WITH CLUTCH	
	407423-063	7423-063	RH WHEEL WITH CLUTCH	
	407423-121	7423-121	RH WHEEL WITH CLUTCH	
	407423-139	7423-139	RH WHEEL WITH CLUTCH	
	407423-163	7423-163	RH WHEEL WITH CLUTCH	
	407423-175	7423-175	RH WHEEL WITH CLUTCH	

*NOTE: Item 55 Includes Items 32, 33, 28, 31 & 54

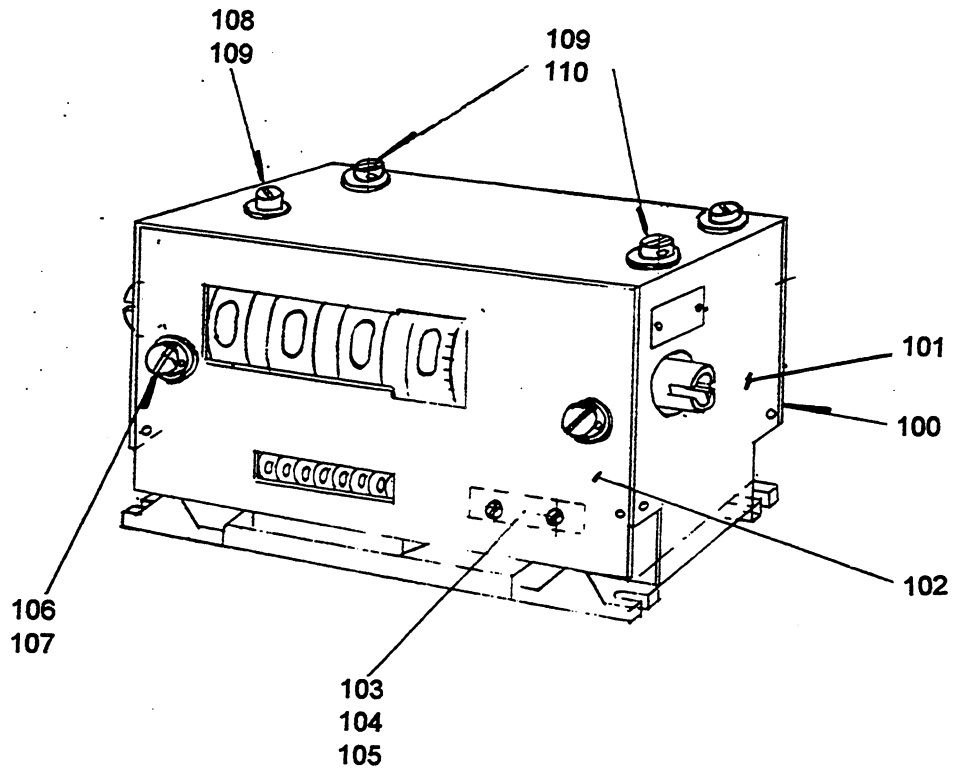
ADDITIONAL FEATURES



ITEM NO	U.S. PART NO	U.K. PART NO	DESCRIPTION	QUAN.
75	402371-041	2371-41	POINTER	1
76	510009-002	6105-12	LOCKWASHER	3
77	501700-129	5471-83	SCREW	2
78	513600-005	4058-1	SEAL & WIRE	1
79		4059-1	PART OF ITEM #78	1
80	404471-180	4471-180	PLATE	1
81	405771-003	5771-3	SHUTTER	1
82	405571-274	5571-274	SHAFT (BEVEL GEAR) ALTERNATIVE	1
83	405371-021	5371-21	SPACER	1
84	510112-001	4606-14	GROOVE PIN	2
85	403005-044	3005-44	BEVEL GEAR 1:1 RATIO	1
86	405202-086	5202-86	SHUTTER SPRING	1
87	403171-055	3171-55	HUB GROUP	1
88	402171-018	2171-18	NON-RETURN CAM	1
89	501733-001	5471-47	SCREW	2
90	404471-145	4471-145	PLATE	1
91	407771-188	7771-188	NON RETURN ARM GROUP	1
92	407771-267	7771-267	LEFT FRAME GROUP	1
93	11071-146	6104-26	WASHER .010	1
94	402401-025	2401-025	DRIVE COUPLING 1" LONG	1

ITEM NO	U.S. PART NO	U.K. PART NO	DESCRIPTION	QUAN.
60	405571-177	5571-177	INTERLOCK SHAFT	1
61	511819-001	4010-16	RETAINING RING	2
62	407771-189	7771-189	DRIVE SHAFT GROUP (1:1 RATIO, CCW)	1
	407771-742	7771-742	DRIVE SHAFT GROUP (2:1 RATIO CW)	
	407779-340	7779-340	DRIVE SHAFT GROUP (2:1 RATIO, CCW, EXT. SHFT)	
	407778-811	7778-811	DRIVE SHAFT GROUP (2:1 RATIO, CCW, EXT. SHFT)	
	407779-520	7779-520	DRIVE SHAFT GROUP (2:1 RATIO, W/STEADY BRACKET)	
	407779-409	7779-409	DRIVE SHAFT GROUP (4:1 RATIO CW)	
	407780-397	7780-397	DRIVE SHAFT GROUP (4:1 RATIO, W/STEADY BRACKET)	
63	405271-197	5202-47	INTERLOCK SPRING	1
64	407771-403	7771-403	INTERLOCK PLATE GROUP	1
65	407771-404	7771-404	LATCH PAWL GROUP	1
66	407771-405	7771-405	STOP PAWL GROUP	1
67	11071-299	6104-60	WASHER	1
68	510125-001	4606-29	PIN	1
69	11071-183	6104-29	WASHER	1
70	11071-155	6104-19	WASHER	1
71	511810-001	4010-14	RETAINING RING	2
72	407771-407	7771-407	LEVER GROUP	1
73	510124-001	4606-33	GROOVE PIN	1
74	407771-751	7771-751	RIGHT FRAME GROUP	1

OPTIONAL COVER



ITEM NO	U.S. PART NO	U.K. PART NO	DESCRIPTION	QUAN.
100	403271-043	3271-043	REAR COVER	1
101	403271-042	3271-042	HOUSING	1
	403271-050	3271-050	HOUSING (FOR LEFT DR SHAFT EXTENSION)	
102	402371-434	2371-434	FRONT COVER	1
103	404077-006	4077-006	MOUNTING BAR	1
104	405407-030	5407-030	SCREW	2
105	11071-189	6104-030	WASHER	2
106	405401-047	5401-047	SCREW	4
107	510046-001	6105-024	LOCKWASHER	4
108	405401-016	5401-016	SCREW	2
109	406105-023	6105-023	LOCKWASHER	4
110	405409-006	5409-006	SCREW	2

For ordering instructions and terms
and conditions of sale, refer to a
current Veeder-Root price list.



6th Avenue at Burns Crossing, P.O. Box 1673, Altoona, PA 16603-1673 Phone (800) 873-3313 or (814) 695-4476, Fax (800) 234-5350 or (814) 695-7605

BRAZIL: Sau Paulo • CANADA: Mississauga, Ontario • ENGLAND: Richmond Surrey • FRANCE: Aulnay-Sous-Bois • GERMANY: Aldingen • SINGAPORE: Singapore

251960

VC 7 ^{PRINTED}
_{IN}
U.S.A. 97